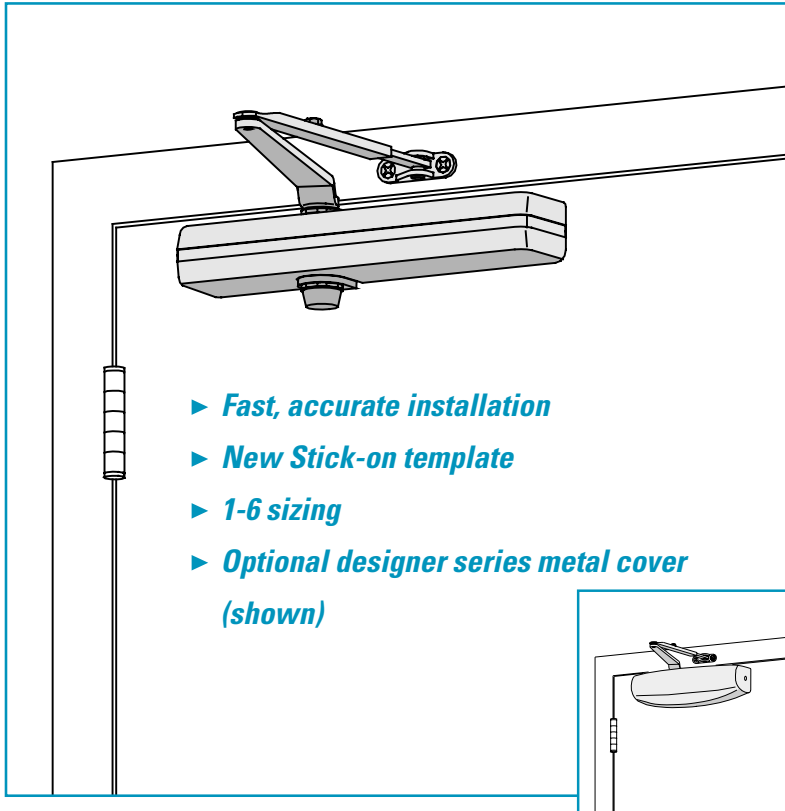


LCN 1460 SERIES



The 1460 SUPER STOCK® is a fully universal double lever arm, slim line closer designed for use on narrow head frames and top rails. A wide choice of options, mounting accessories and ease of installation offer maximum versatility.

UL and ULC listed for self-closing doors without hold-open. Tested and certified under ANSI Standard A156.4, grade one.

- ▶ Standard 1460 series closer shipped with regular arm (non-hold-open), a slim line non-metallic cover, and self reaming and tapping screws. See Page 1460-6 for options.
- ▶ Non-sized (1-6) cylinder is adjustable for interior doors to 5'0" and exterior doors to 4'0".
- ▶ Closer mounts hinge side, top jamb, and parallel arm on either right or left swinging doors.
- ▶ Closers to meet ADA requirements. See page 1460-8.
- ▶ Standard or custom powder coat finish.
- ▶ Optional plated finish on cover, arm and fasteners.
- ▶ SRI primer for installations in corrosive conditions.

| MOUNTING | | | FINISH | | COVER <small>NEW!</small> | | CYLINDER | | | ARM FUNCTION* | | | | | | | | | | |
|------------|----------|--------------|-------------|--------|---------------------------|----------------|------------|-----------|---------------|---------------|-----|---------|-----------|--------------|------------|------------|-------------|-------------|----------|-------------|
| HINGE SIDE | TOP JAMB | PARALLEL ARM | POWDER COAT | PLATED | NON-METALLIC | DESIGNER METAL | NON-HANDED | NON-SIZED | ACCESSIBILITY | DELAY ACTION | AVB | REGULAR | HOLD-OPEN | FUSIBLE LINK | HEAVY DUTY | EXTRA DUTY | CUSH-N-STOP | SPRING CUSH | WARRANTY | MAINTENANCE |
| ● | ● | ● | ● | ● | ● | ● | ● | ● | ○ | ○ | | 180° | 180° | 180° | 180° | 110° | 100° | 100° | 10yr | NR |

● Available
○ Not available

♿ Closer available with less than 5.0 lbs. opening force on 36" door.
* Maximum opening/hold-open point with standard template. Hinge side mount.
NR = No periodic maintenance required.

LCN 1460 SERIES

MOUNTING DETAILS

HINGE (PULL) SIDE MOUNTING

MAXIMUM OPENING

110°

Ⓐ = 6" (152 mm)

Ⓑ = 10 7/8" (276 mm)

or *180°

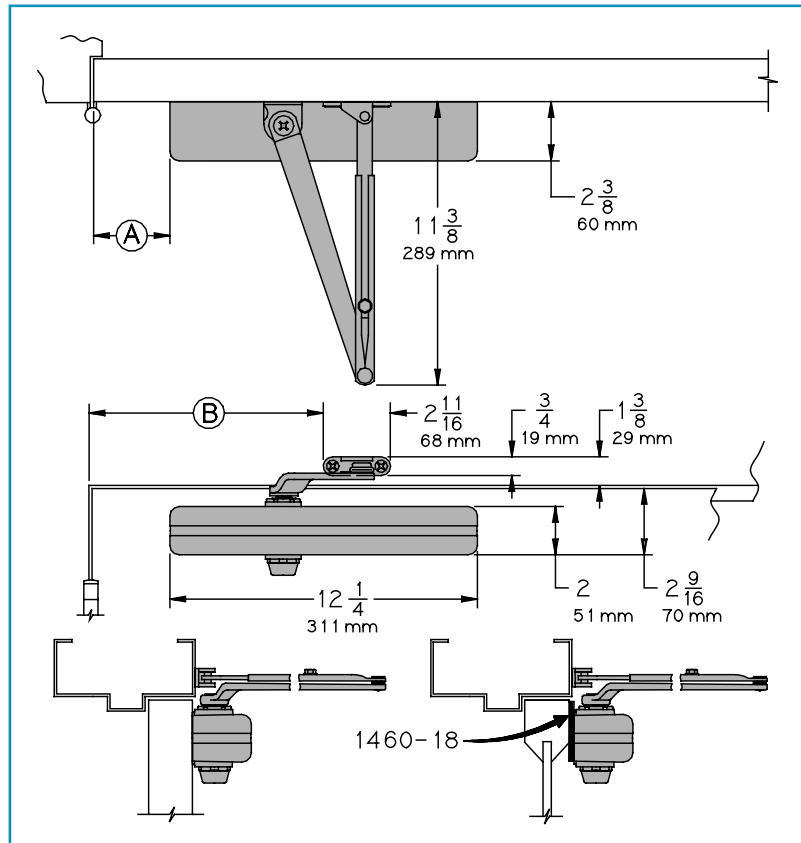
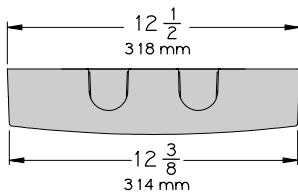
Ⓐ = 3" (76 mm)

Ⓑ = 7 7/8" (200 mm)

Hold-open points up to maximum opening with hold-open arm.

*Frame and trim permitting.

Optional Designer Series Cover



- ▶ **Butt Hinges** should not exceed 5" (127 mm) in width.
- ▶ **Auxiliary Stop** is recommended at hold-open point or where a door cannot swing 180°.
- ▶ **Reveal** should not exceed 3/4" (19 mm) for regular arm or 1/2" (13 mm) for hold-open arm.
- ▶ **Top Rail** less than 2 1/2" (89 mm) requires PLATE, 1460-18. With full cover, use PLATE, 1460-18FC. Plate requires 1 1/2" (38 mm) minimum.
- ▶ **Clearance** of 2 3/8" (60 mm) behind door required for 90° installation.
- ▶ **Delay Action** Add suffix "DA" to selected cylinder (eg. 1461 DA). Delays closing from 110° to 65° or 160° to 75° depending on templating. Delay time adjustable up to 1 minute.
- ▶ **Bull Nose Trim** requires SOFFIT SHOE, 1460-65.

Options

- ▶ Delay action cylinder.
- ▶ Hold-open arm.
- ▶ Fusible link arm.
- ▶ Full cover.
- ▶ EC cover.
- ▶ Designer series metal cover.

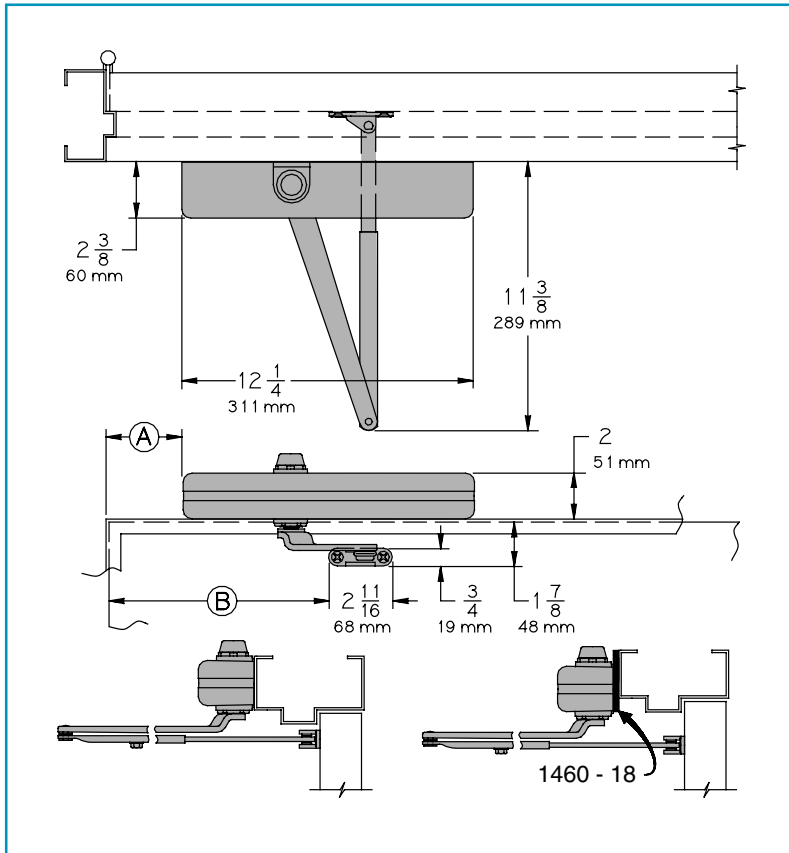
Special Templates

Customized installation templates or products may be available to solve unusual applications. Contact LCN for assistance.

LCN DIVISION
P.O. BOX 100
121 W. RAILROAD AVE.
PRINCETON, IL, USA 61356-0100

PHONE 800-526-2400
FAX 800-248-1460

LCN 1460 SERIES



TOP JAMB (PUSH SIDE) MOUNTING

MAXIMUM OPENING

110°

Ⓐ = 6 7/8" (175 mm)

Ⓑ = 11 1/4" (286 mm)

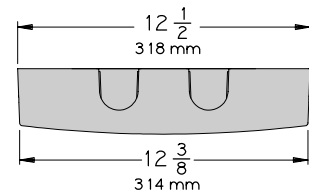
180°

Ⓐ = 3 1/8" (79 mm)

Ⓑ = 7 1/2" (191 mm)

Hold-open points up to maximum opening with hold-open arm.

Optional Designer Series Cover



- ▶ **Butt Hinges** should not exceed 5" (127 mm) in width.
- ▶ **Auxiliary Stop** is recommended at hold-open point or where a door cannot swing 180°.
- ▶ **Reveal** of 2 1/2" (64 mm) allows 180° opening with REGULAR HOLD-OPEN ARM. 3 1/2" (89 mm) allows up to 180° opening with REGULAR ARM or 180° with optional LONG HOLD-OPEN ARM when standard head and tube is replaced with optional LONG HEAD AND TUBE, 1460-78HL. 4 7/8" (124 mm) allows up to 140° with REGULAR ARM or LONG HOLD-OPEN ARM. 7" (178 mm) allows up to 140° opening with LONG ARM when standard rod and shoe is replaced with optional LONG ROD AND SHOE, 1460-79LR.
- ▶ **Top Rail** requires 1 7/8" (48 mm) minimum.
2 3/4" (70 mm) minimum with closer on PLATE, 1460-18.
- ▶ **Head Frame** less than 1 3/4" (44 mm) requires PLATE, 1460-18. For flush ceiling condition with 2" (51 mm) headframe, use PLATE, 1460-18. With full cover, use PLATE, 1460-18FC. Plate requires 1 1/4" (32 mm) minimum.
- ▶ **Delay Action** Add suffix "DA" to selected cylinder (eg. 1460 DA). Delays closing from 110° to 75° or 180° to 95° depending on templating. Delay time adjustable up to 1 minute.

Options

- ▶ Delay action cylinder.
- ▶ Long arm, hold-open arm, long hold-open arm.
- ▶ Fusible link arm.
- ▶ Full cover.
- ▶ EC cover.

Special Templates

Customized installation templates or products may be available to solve unusual applications. Contact LCN for assistance.

LCN 1460 SERIES

PARALLEL ARM (PUSH SIDE) MOUNTING

Optional mounting requires PA SHOE, 1460-62PA for REGULAR or HOLD-OPEN arms. Add prefix "P" to closer description (e.g. P1460.) P1460 closer includes 1460-201 FIFTH HOLE SPACER to support PA SHOE.

MAXIMUM OPENING

Regular or hold-open arm can be templated for 110°

Ⓐ = 4" (102 mm)

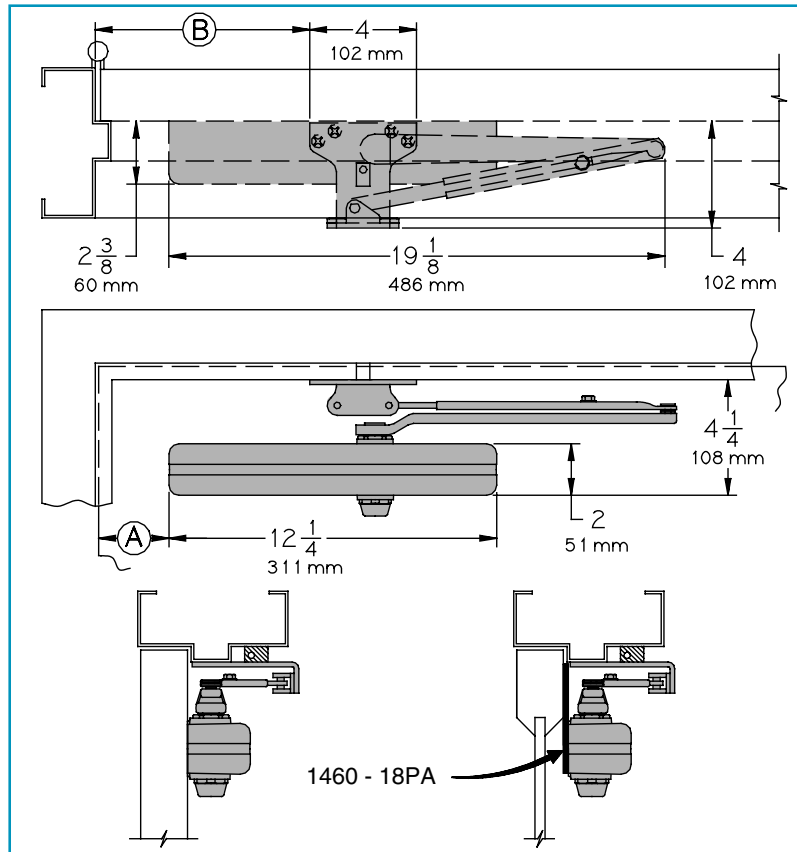
Ⓑ = 10 7/8 (276 mm)

or 180°.

Ⓐ = 1 1/2" (38 mm)

Ⓑ = 8 3/8" (213 mm)

Hold-open points up to maximum opening with hold-open arm.



1460 REGULAR or HOLD-OPEN MOUNT

- ▶ **Butt Hinges** should not exceed 5" (127 mm) in width.
- ▶ **Auxiliary Stop** is recommended at hold-open point, where a door cannot swing 180°, or where CUSH-N-STOP® arm is not used.
- ▶ **Clearance** for 1460-62PA shoe is 4" (102 mm) from door face.
- ▶ **Top Rail** less than 4 1/4" (108 mm) measured from the stop requires PLATE, 1460-18PA. With full cover, use PLATE, 1460-18PAFC. Plate requires 1 3/4" (44 mm) minimum.
- ▶ **Head Frame** flush or single rabbeted requires PA SHOE ADAPTER, 1460-418.
- ▶ **Stop Width** minimum 1" (25 mm).
- ▶ **Blade Stop** clearance, requires 1/2" (13 mm) BLADE STOP SPACER, 1460-61.
- ▶ **Auxiliary Shoe**, 1460-62A allows installation of regular arm with Glynn-Johnson overhead holder/stop. Special templating required.
- ▶ **Delay Action** Add suffix "DA" to selected cylinder (eg. P1460 DA). Delays closing from maximum opening to approximately 75°. Delay time adjustable up to 1 minute.

Options

- ▶ Delay action cylinder.
- ▶ Hold-open, EDA, H-EDA, CUSH, or H-CUSH arm, Fusible link arm, Spring-Cush, HS-Cush.
- ▶ Full cover.
- ▶ EC cover.
- ▶ Designer series metal cover.
- ▶ Metal cover.

Special Templates

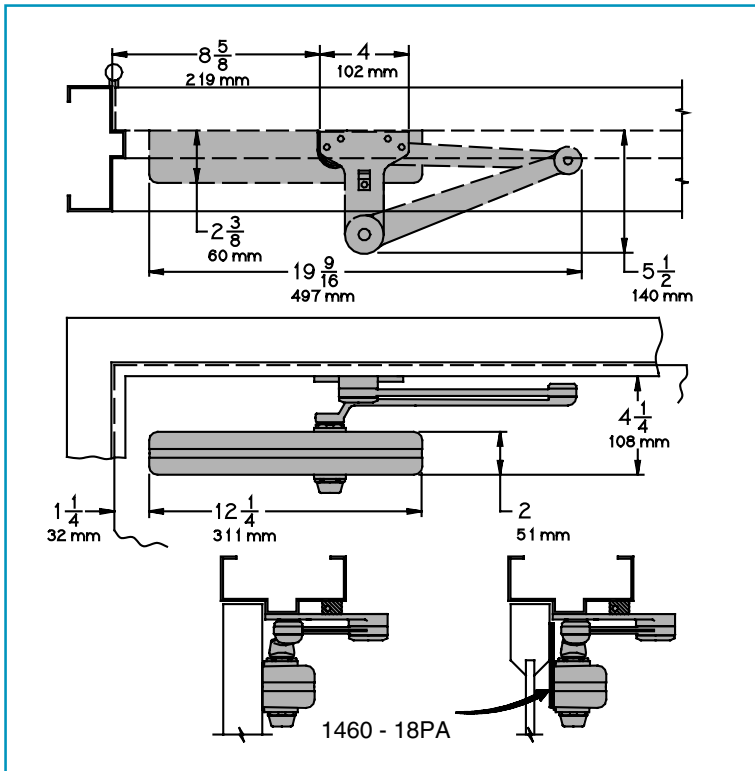
Customized installation templates or products may be available to solve unusual applications. Contact LCN for assistance.

LCN DIVISION
P.O. BOX 100
121 W. RAILROAD AVE.
PRINCETON, IL, USA 61356-0100

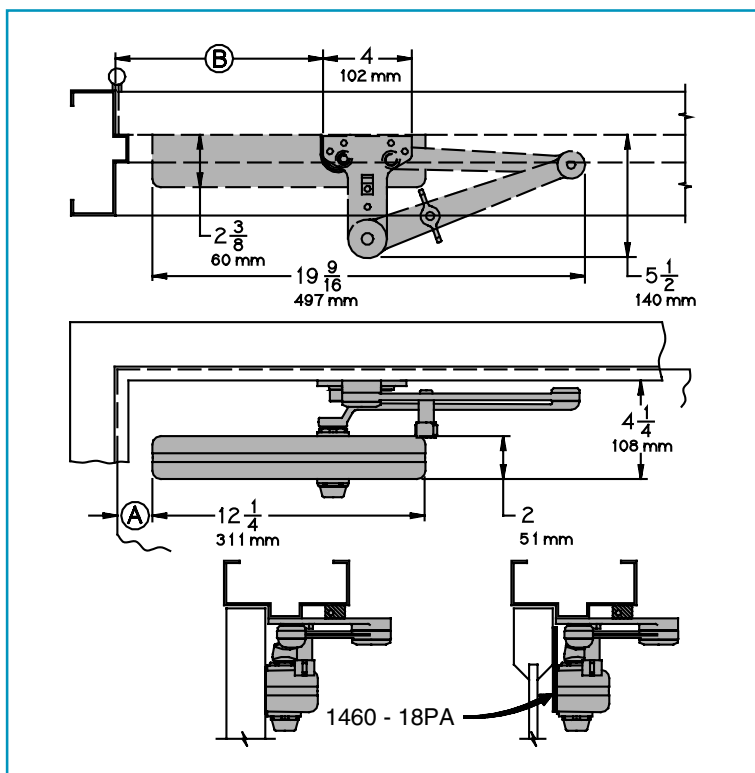
PHONE 800-526-2400
FAX 800-248-1460

LCN 1460 SERIES

1460 EDA MOUNT



1460 CUSH (CNS) MOUNT



1460 EDA or CUSH-N-STOP MOUNTING

Mounting details are the same as 1460 REGULAR or HOLD-OPEN on page 4 except as listed below. 1460 closers ordered with EDA, CUSH or SPRING CUSH arms include 1460-201 FIFTH HOLE SPACER to support the shoe.

MAXIMUM OPENING

EDA template allows 110°.
Hold-open point up to maximum opening.

CUSH arms can be templated for maximum opening/hold-open point at 85°.

- Ⓐ = 2 3/4" (70 mm)
- Ⓑ = 10 3/16" (259 mm)

90°.

- Ⓐ = 2 1/8" (54 mm)
- Ⓑ = 9 9/16" (243 mm)

or 100°.

- Ⓐ = 1 1/8" (29 mm)
- Ⓑ = 8 9/16" (217 mm)

Spring Cush hold-open points are approximately 5° less than templated stop point.

- ▶ **Clearance** for 1460-62EDA or CUSH shoe is 5 1/2" (140 mm) from door face.
- ▶ **Head Frame** flush or rabbeted requires CUSH FLUSH PANEL ADAPTER, 1460-419.
- ▶ **EDA or CUSH ARM** requires SHOE SUPPORT, 1460-30 for fifth screw anchorage where reveal is less than 3 1/16" (78 mm).

LCN 1460 SERIES

ARMS

REGULAR ARM, 1460-3077

Standard, non-handed arm mounts hinge side or top jamb. P1460 closer includes PA SHOE, 1460-62PA required for parallel arm mounting. AUXILIARY SHOE, 1460-62A allows PA installation with optional Glynn-Johnson overhead holder/stop and special templating.

HEAVY DUTY ARM 1460-3077HD

Optional, heavy duty non-handed arm, mounts hinge side or top jamb.

LONG ARM, 1460-3077L

Optional, non-handed arm includes LONG ROD AND SHOE, 1460-79LR for top jamb mount with deep reveals.

HOLD-OPEN ARM, 1460-3049

Optional, non-handed arm mounts hinge side or top jamb. Hold-open adjustable at shoe.

P1460 closer includes PA SHOE, 1460-62PA required for parallel arm mounting.

HEAVY DUTY ARM, 1460-3049 HD

Optional, heavy duty non-handed arm mounts hinge side on top jamb.

LONG HOLD-OPEN ARM, 1460-3049L

Optional non-handed arm includes LONG HEAD AND TUBE, 1460-3048L for top jamb mount with deep reveals.

EXTRA DUTY (EDA) ARM, 1460-3077EDA

Optional, non-handed parallel arm features forged, solid steel main and forearm for potentially abusive installations. Optional THICK HUB SHOE, 1460-62G for blade stop clearance. Optional FLUSH TRANSOM SHOE, 1460-145 for flush transom frame.

H-EDA ARM, 1460-3049EDA

Optional handed arm, provides hold-open function adjustable at shoe.

CUSH-N-STOP® (CUSH) ARM, 1460-3077CNS

Optional, non-handed parallel arm features solid forged steel main arm and forearm with stop in soffit shoe.

H-CUSH ARM, 1460-3049CNS

Optional non-handed arm, provides hold-open function with templated stop/hold-open points. Hold-open controlled by tee handle.

SPRING CUSH ARM, 1460-3077SC

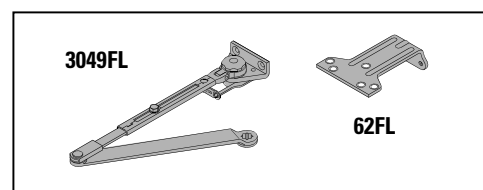
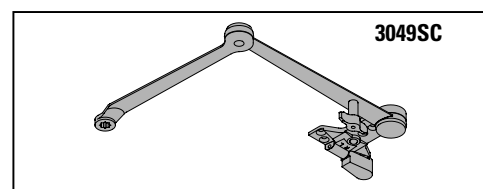
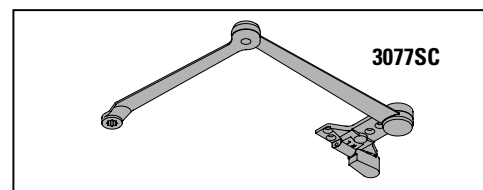
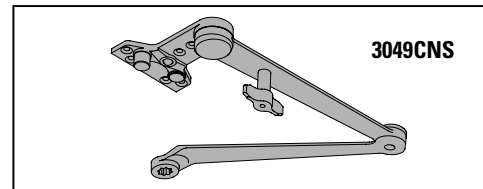
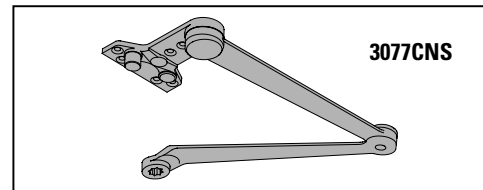
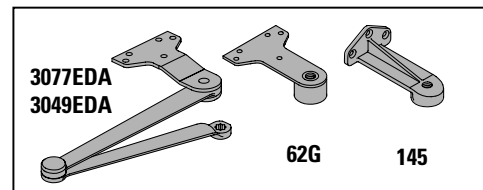
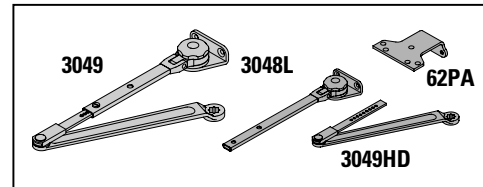
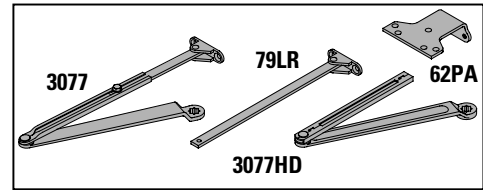
Optional, non-handed parallel arm for abusive applications features solid forged steel main arm and forearm with spring loaded stop in the soffit shoe.

SPRING CUSH ARM, 1460-3049SC

Optional, non-handed parallel arm for abusive applications features solid forged steel main arm and forearm with spring loaded stop in the soffit shoe. Handle controls hold-open function.

FUSIBLE LINK ARM, 1460-3049FL

Optional, handed arm mounts pull side or top jamb and releases hold-open function when exposed to temperatures above 160° F. Optional links release at 125° F or 135° F. Hold-open adjustable at shoe. PA SHOE, 1460-62FL required for parallel arm mounting.



LCN 1460 SERIES

COVERS

COVER, 1460-72

Standard, non-handed, slimline non-metallic cover with feature strip.

FULL COVER, 1460-72FC

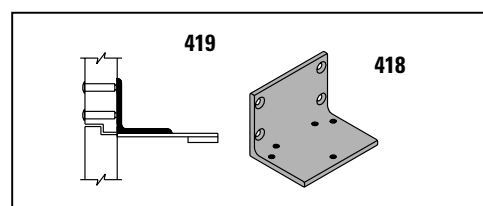
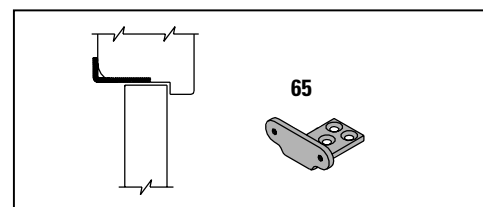
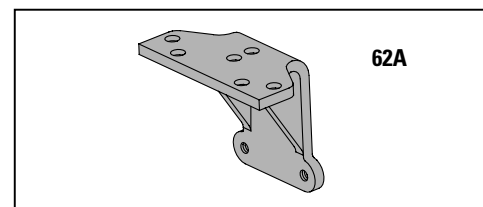
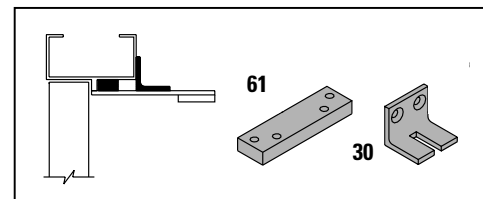
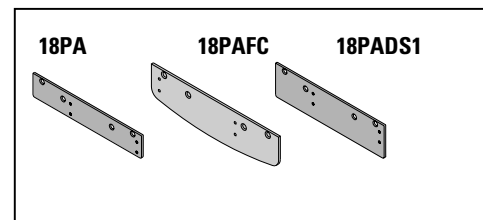
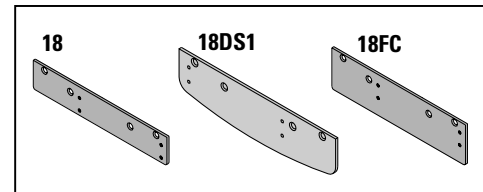
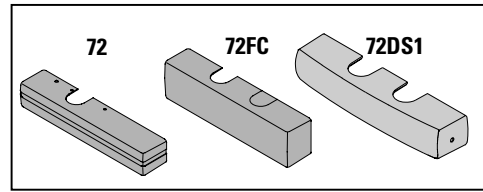
Optional, non-handed, non-metallic cover provides complete enclosure.

DESIGNER METAL COVER, 1460-72DS1

Optional, non-handed designer series metal full cover provides complete enclosure with a stylish look.

COVER, 1460-72EC

Optional, non-handed slimline non-metallic cover.



INSTALLATION ACCESSORIES

PLATE, 1460-18/1460-18DS1

Required for hinge side mount where top rail is less than 2 1/2" (64 mm).

Required for top jamb mounting where head frame is less than 1 3/4" (44 mm) or flush ceiling condition exists.

Plate requires minimum 1 1/2" (38 mm) minimum top rail or 1 1/4" (32 mm) head frame.

With full cover, use PLATE, 1460-18FC.

PLATE, 1460-18PA/1460-18PADS1

Required for parallel arm mounting where top rail is less than 4 1/4" (108 mm), measured from the stop.

Plate requires 1 3/4" (44 mm) minimum top rail.

With full cover, use PLATE, 1460-18PAFC.

CUSH SHOE SUPPORT, 1460-30

Provide anchorage for fifth screw used with CUSH arms where reveal is less than 3 1/16" (78 mm).

BLADE STOP SPACER, 1460-61

Lowers parallel arm shoe to clear 1/2" (13 mm) blade stop.

AUXILIARY SHOE, 1460-62A

Optional shoe replaces -62PA for parallel arm mounting of regular arm with Glynn-Johnson overhead holder/stop.

Special templating required.

SOFFIT SHOE, 1460-65

Adapts hinge side shoe to rounded or bull nose trim.

PA SHOE ADAPTER, 1460-418

Provides horizontal mounting surface for parallel arm shoe on single rabbetted or flush frame.

CUSH FLUSH PANEL ADAPTER, 1460-419

Provides horizontal mounting surface for CUSH shoe on single rabbetted or flush frame.

LCN 1460 SERIES

TABLE OF SIZES Select closer based on width of door. The spring power of a 1461 cylinder is field adjustable from size 1 through size 6 and is shipped adjusted to size 3.

→ Indicates recommended range of door width for closer size.

EXTERIOR (and VESTIBULE) DOOR WIDTH

| | 24" 610mm | 30" 762mm | 36" 914mm | 42" 1067mm | 48" 1219mm |
|--------------------|--------------|--------------|--------------|---------------|---------------|
| *1461 | size 3 | size 4 | size 5 | size 6 | → |
| Minimum Door Width | | | | | |

INTERIOR DOOR WIDTH


| | 24" 610mm | 34" 864mm | 38" 965mm | 48" 1219mm | 54" 1372mm | 60" 1524mm |
|--------------------|--------------|--------------|--------------|---------------|---------------|---------------|
| *1461 | size 2 | size 3 | size 4 | size 5 | size 6 | → |
| Minimum Door Width | | | | | | |

* Adjustable Size 1 thru 6

REDUCED OPENING FORCE 1460 CLOSERS

CAUTION! Any manual door closer, including those certified by BHMA to conform to ANSI Standard A156.4, that is selected, installed and adjusted based on ADA or other reduced opening force requirements may not provide sufficient power to reliably close and latch a door.

Refer to POWER OPERATORS section for information on systems that meet reduced opening force requirements without affecting closing power.

|  | DOOR WIDTH | 36" | 42" | 48" |
|---|------------|------|------|------|
| | 8.5* lbs. | 1461 | 1461 | 1461 |
| 5.0* lbs. | 1461 | 1461 | 1461 | |

* Maximum opening force

HOW-TO-ORDER 1460 SERIES CLOSERS

1. SELECT CYLINDER SIZE

- 1461 (adjustable size 1 to 6)

2. SELECT FINISH

- Standard Powder Coat _____
Aluminum, Statuary, Light Bronze, Tan, Brass, Black, Dark Bronze
- Custom Powder Coat _____
- SRI primer

Closer will be shipped with:

- STANDARD CYLINDER,
- STANDARD COVER,
- REGULAR ARM (without PA SHOE) and
- SELF-REAMING and TAPPING SCREWS (new), unless options listed below are selected.

CLOSER OPTIONS

CYLINDER

- PA Mount (add prefix "P" to selected cylinder for 1460-62PA SHOE required with regular or hold-open arm) includes 201 FIFTH SCREW SPACER.
- Delayed Action (add suffix "DA")

COVER

- Full cover
- EC cover
- Designer series metal full cover (non-handed)

ARM

- Long
- Regular w/62A
- Hold-Open
- Long Hold-Open
- HD
- FL
- EDA (optional -62G or -145)
- H-EDA (specify right or left hand), (optional -62G or -145)
- Cush-N-Stop
- H-Cush-N-Stop
- Spring Cush
- Spring H-Cush

OPTIONAL SCREW PACKS

- TB* w/Self-Reaming and Tapping Screws (SRTS) complete w/cylinder SRTS
 - TB* w/SRTS
 - TORX SRTS
 - TORX TB w/SRTS
 - TB* & Machine Screw
 - TB*, Wood & Machine Screw
 - TORX Machine Screw
 - TB* & TORX Machine Screw
- * Specify door thickness if other than 1 3/4".

SPECIAL TEMPLATE

- ST-_____

INSTALLATION ACCESSORIES

- Plate, 1460-18/18DS1
- Plate, 1460-18FC
- Plate, 1460-18PA/18PADS1
- Plate, 1460-18PAFC
- CUSH Shoe Support, 1460-30
- Blade Stop Spacer, 1460-61
- Auxiliary Shoe, 1460-62A
- Fusible link, PA Shoe, 1460-62 FL
- Soffit Shoe, 1460-65
- PA Shoe Adapter, 1460-418
- CUSH Flush Panel Adapter, 1460-419