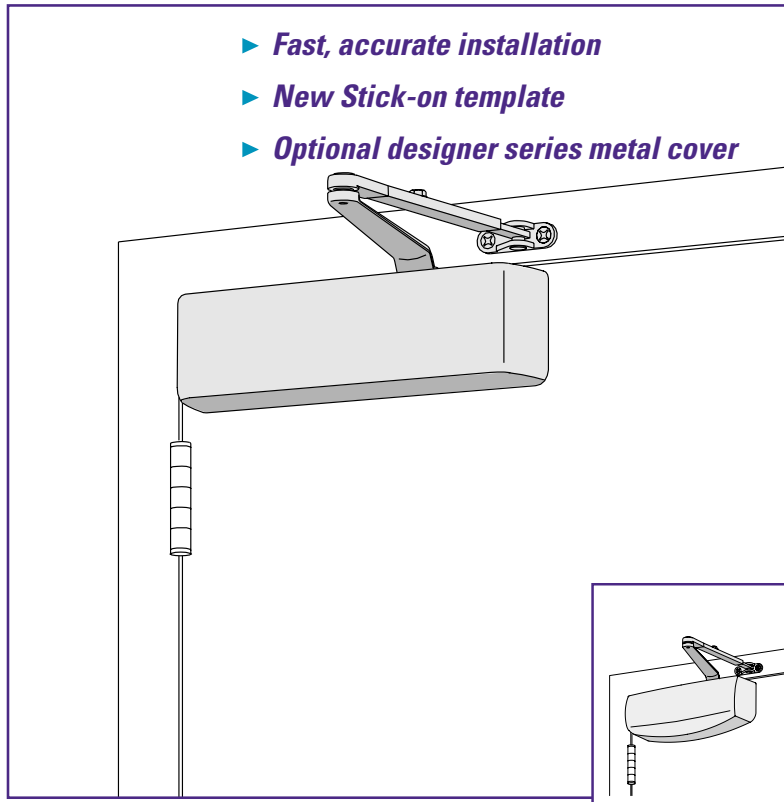


LCN 4040 SERIES

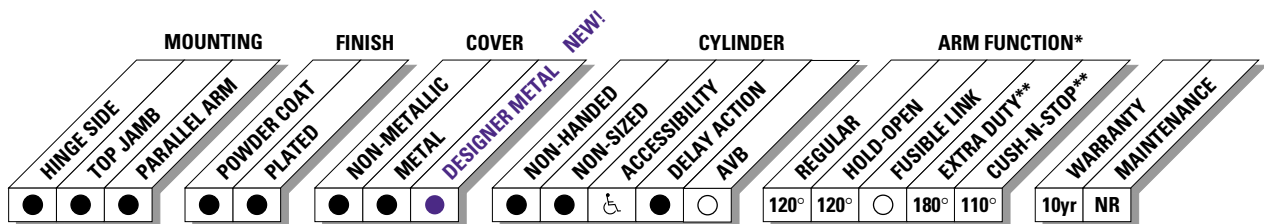


- ▶ **Fast, accurate installation**
- ▶ **New Stick-on template**
- ▶ **Optional designer series metal cover**

The 4040 SUPER SMOOTHIE® is a heavy duty, double lever arm closer designed for institutional and other high traffic applications, and has passed 10,000,000 cycles in independent testing. The wide choice of options, installation accessories and ease of installation offer maximum versatility.

UL and ULC listed for self-closing doors without hold-open. Tested and certified under ANSI Standard A156.4, grade one.

- ▶ Standard 4040 series closer shipped with regular arm (non-hold-open), standard non-metallic cover, and self reaming and tapping screws. See 4040-6 for options.
- ▶ Non-sized cylinder is adjustable for interior doors to 5'0" and exterior doors to 4'0".
- ▶ Closer mounts hinge side, top jamb, and parallel arm on either right or left swinging doors.
- ▶ Closers to meet ADA requirements. See 4040-8.
- ▶ Standard or custom powder coat finish.
- ▶ Optional plated finish on cover, arm, and fasteners.
- ▶ SRI primer for installations in corrosive conditions.
- ▶ FAST™ Power Adjust. **NEW!**



● Available
○ Not available

♿ Closer available with less than 5.0 lbs. opening force on 36" door.
* Maximum opening/hold-open point with standard template. Hinge side mount.
** Stop side mount only
NR = No periodic maintenance required.

LCN 4040 SERIES

MOUNTING DETAILS

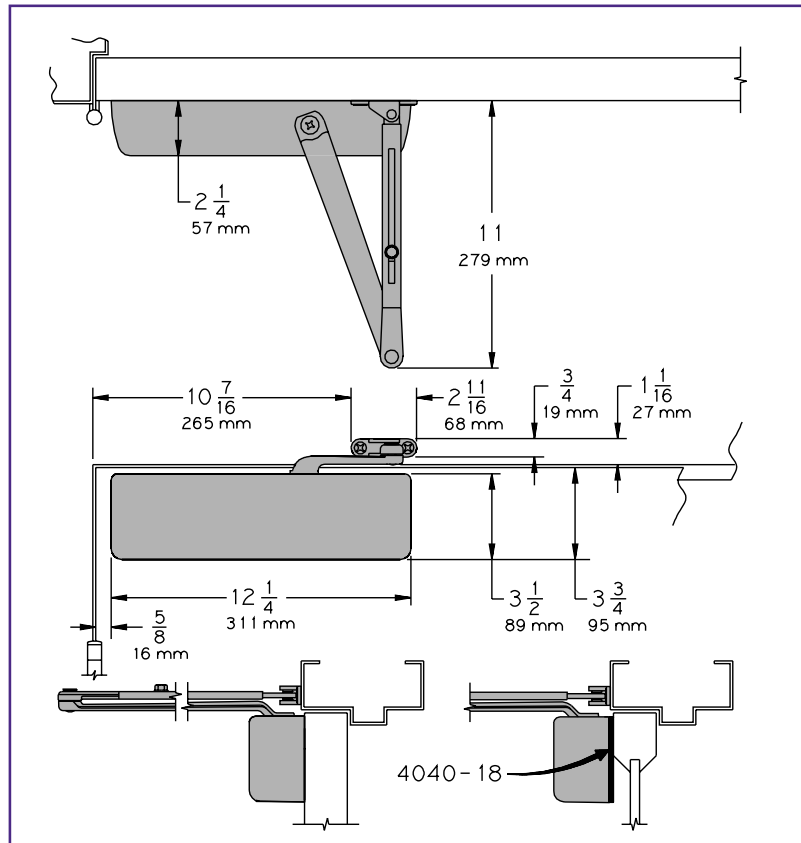
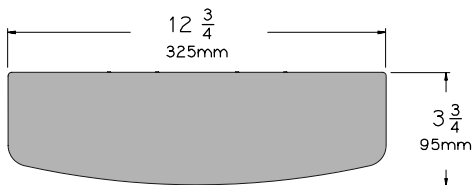
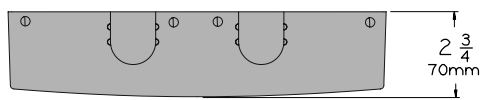
HINGE (PULL) SIDE MOUNTING

MAXIMUM OPENING

Templating allows up to 120°.

Hold-open points 85° up to 120° with hold-open arm.

Optional Designer Series Cover



- ▶ **Butt Hinges** should not exceed 5" (127 mm) in width.
- ▶ **Auxiliary Stop** is recommended at hold-open point or where a door cannot swing beyond 120°.
- ▶ **Reveal** should not exceed 3/4" (19 mm) for regular arm or hold-open arm.
- ▶ **Top Rail** less than 3 3/4" (95 mm) requires PLATE, 4040-18. Plate requires 2" (51 mm) minimum.
- ▶ **Clearance** of 2 3/8" (60 mm) behind door required for 90° installation.
- ▶ **Delay Action** Add suffix "DA" to selected cylinder (eg. 4041 DA). Delays closing from 120° to 70°. Delay time adjustable up to 1 minute.
- ▶ **Bull Nose Trim** requires SOFFIT SHOE, 4040-65.
- ▶ **Corner Bracket** available for doors where top jamb or parallel arm mounting can not be used. 4040-16 allows 110° opening. Projects 5" (127 mm) from stop, 12 13/16" (325 mm) from frame. 4040-17 allows 100° opening with certain auxiliary door holders (consult factory). Projects 6 3/8" (162 mm) from stop, 13 11/16" (348 mm) from frame.

Options

- ▶ Delayed action cylinder.
- ▶ Hold-open arm.
- ▶ Metal cover.
- ▶ Bracket mount.

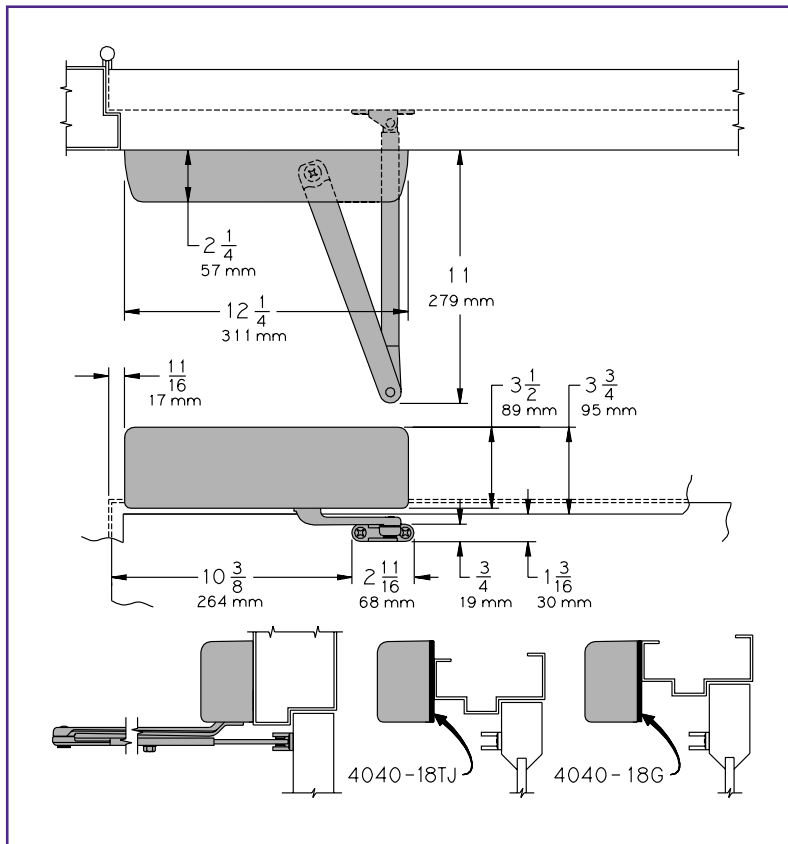
Special Templates

Customized installation templates or products may be available to solve unusual applications. Contact LCN for assistance.

LCN DIVISION
P.O. BOX 100
121 W. RAILROAD AVE.
PRINCETON, IL, USA 61356-0100

PHONE 800-526-2400
FAX 800-248-1460
8/01

LCN 4040 SERIES



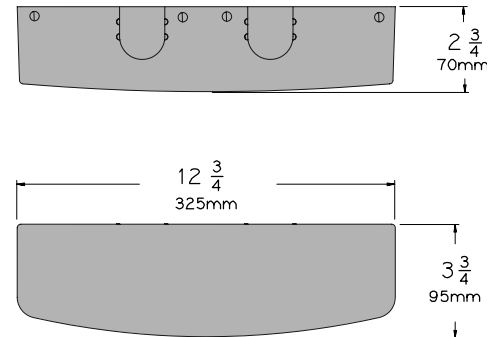
TOP JAMB (PUSH SIDE) MOUNTING

MAXIMUM OPENING

Templating allows up to 120°.

Hold-open points 85° up to 120° with hold-open arm.

Optional Designer Series Cover



- ▶ **Butt Hinges** should not exceed 5" (127 mm) in width.
- ▶ **Auxiliary Stop** is recommended at hold-open point or where the door cannot swing 120°.
- ▶ **Reveal** of 2 9/16" (65 mm) allows 120° opening for REGULAR ARM or standard HOLD-OPEN ARM. 4 13/16" (122 mm) allows up to 120° opening with LONG ARM where standard rod and shoe is replaced with optional LONG ROD AND SHOE 4040-79LR. Use H-LONG ARM with LONG HEAD AND TUBE, 4040-78HL for hold-open. 8" (203 mm) allows up to 120° opening with EXTRA LONG ARM where standard rod and shoe is replaced with optional EXTRA LONG ROD AND SHOE, 4040-79ELR.
- ▶ **Top Rail** requires 1 1/4" (32 mm) minimum.
2 1/4" (57 mm) minimum with closer on PLATE, 4040-18TJ.
3" (76 mm) minimum with closer on PLATE, 4040-18G.
- ▶ **Head Frame** less than 3 1/2" (89 mm) requires PLATE, 4040-18TJ. With flush ceiling, use PLATE, 4040-18G. Either plate requires 1 3/4" (44 mm) minimum.
- ▶ **Delay Action** Add suffix "DA" to selected cylinder (eg. 4041 DA). Delays closing from 120° to 80°. Delay time adjustable up to 1 minute.

Options

- ▶ Delayed action cylinder.
- ▶ Long arm, extra long arm, hold-open arm, long hold-open arm.
- ▶ Metal cover.

Special Templates

Customized installation templates or products may be available to solve unusual applications. Contact LCN for assistance.

LCN 4040 SERIES

MOUNTING DETAILS

PARALLEL ARM (PUSH SIDE) MOUNTING

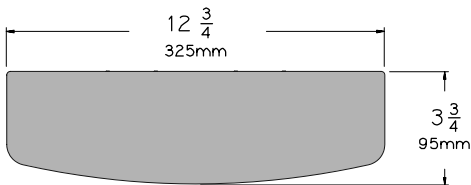
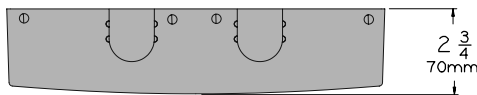
Optional mounting requires PA SHOE, 4040-62PA for REGULAR or HOLD-OPEN arms. Add prefix "P" to closer description (eg. P4041). P4041 closer includes 4040-201 FIFTH HOLE SPACER to support PA SHOE.

MAXIMUM OPENING

180° opening/hold-open points with all except CUSH arms.

110° opening/hold-open with CUSH arms.

Optional Designer Series Cover

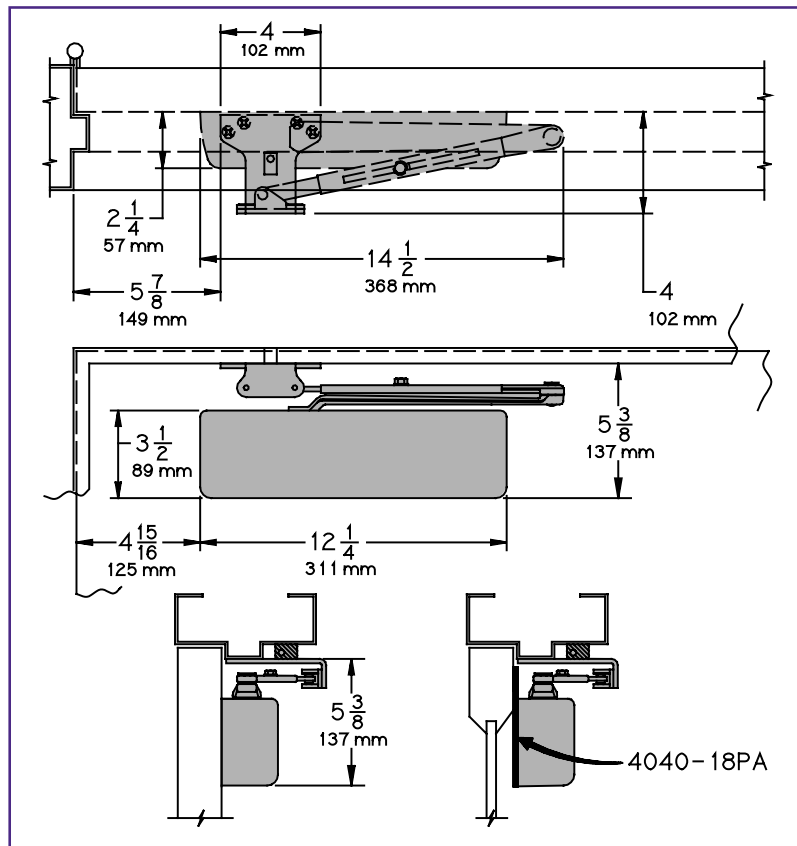


Options

- ▶ Delay action cylinder.
- ▶ Hold-open, EDA, H-EDA, CUSH, H-CUSH, SPRING CUSH, or SPRING H-CUSH arm.
- ▶ Metal cover.

Special Templates

Customized installation templates or products may be available to solve unusual applications. Contact LCN for assistance.



4040 REGULAR or HOLD-OPEN MOUNT

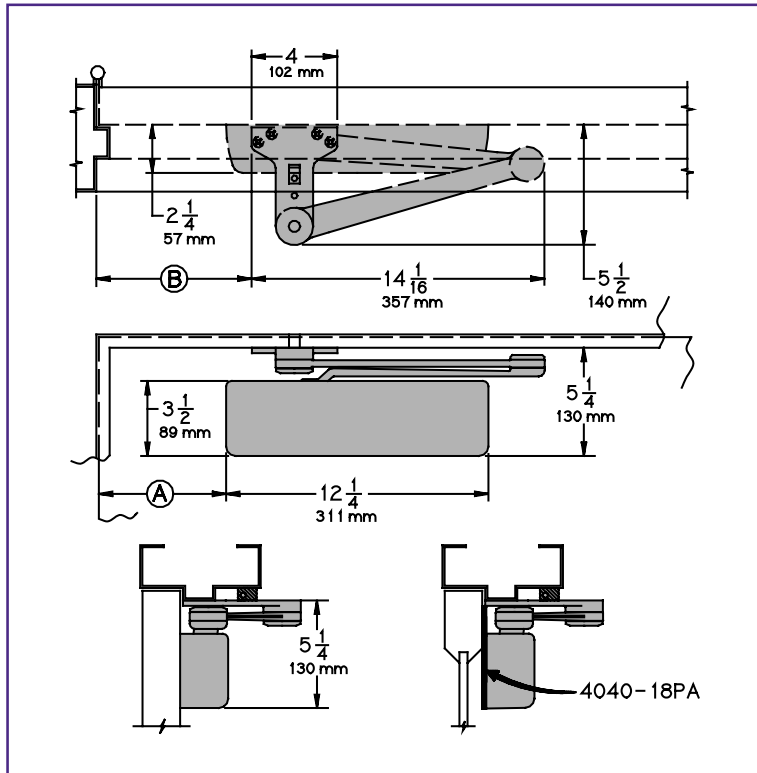
- ▶ **Butt Hinges** should not exceed 5" (127 mm) in width.
- ▶ **Auxiliary Stop** is recommended at hold-open point, where the door cannot swing 180°, or where CUSH-N-STOP® arm is not used.
- ▶ **Clearance** for 4040-62PA shoe is 4" (102 mm) from door face. EDA or CUSH shoe projects 5 1/2" (140 mm) from door face.
- ▶ **Top Rail** less than 5 1/2" (140 mm) measured from the stop requires PLATE, 4040-18PA. Plate requires 2" (51 mm) minimum from the stop.
- ▶ **Head Frame** flush or single rabbeted requires PA SHOE ADAPTER, 4040-418.
- ▶ **Stop Width** minimum 1" (25 mm).
- ▶ **Blade Stop** clearance requires 1/2" (13mm) BLADE STOP SPACER, 4040-61.
- ▶ **Delay Action** Add suffix "DA" to selected cylinder (eg. P4041 DA). Delays time adjustable up to 1 minute.

LCN DIVISION
P.O. BOX 100
121 W. RAILROAD AVE.
PRINCETON, IL, USA 61356-0100

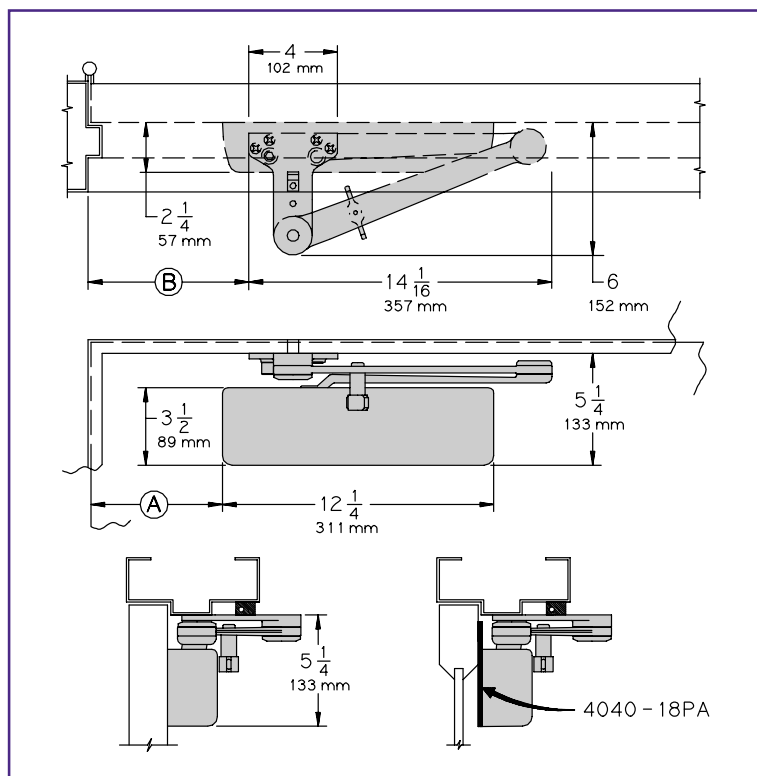
PHONE 800-526-2400
FAX 800-248-1460
8/01

LCN 4040 SERIES

4040 EDA MOUNT



4040 CUSH (CNS) MOUNT



Mounting details are the same as 4040 REGULAR or HOLD-OPEN except as listed below. 4040 closers ordered with EDA or CUSH arms include 4040-201 FIFTH HOLE SPACER to support the shoe.

MAXIMUM OPENING

EDA template allows 180°. Hold-open point up to maximum opening. CUSH arms can be templated for opening/hold-open point at 85°.

① = 9 1/8" (232 mm)

② = 7 15/16" (202 mm)

90°.

① = 8 3/8" (213 mm)

② = 7 3/16" (183 mm)

100°.

① = 7 1/4" (184 mm)

② = 6 1/16" (154 mm)

or 110°.

① = 6 1/4" (159 mm)

② = 5 1/16" (129 mm)

Spring Cush dead stop points are approximately 5° less than templated stop point.

- ▶ **Clearance** for 4040-62EDA or CUSH shoe is 5 1/2" (140 mm) from door face.
- ▶ **Head Frame** flush or rabbeted requires CUSH FLUSH PANEL ADAPTER, 4040-419.
- ▶ **EDA or CUSH ARM** requires SHOE SUPPORT, 4040-30 for fifth screw anchorage where reveal is less than 3 1/16" (78 mm).
- ▶ **Delay Action** Add suffix "DA" to selected cylinder (eg. 4041 DA). Delays closing from maximum opening to;
 - 115° with 180° template.
 - 95° with 110° template.
 - 85° with 100° template.
 - 75° with 90° template.
 Delay time adjustable up to one minute.

LCN 4040 SERIES

COVERS

COVER, 4040-72

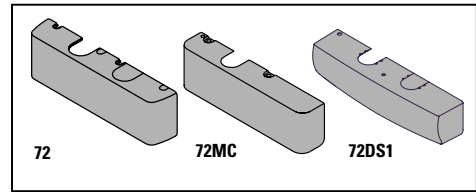
Standard, non-handed non-metallic cover.

METAL COVER, 4040-72MC

Optional, handed cover. Required for plated finishes.

DESIGNER METAL COVER, 4040-72DS1

Optional, non-handed designer series metal cover.



ARMS

REGULAR ARM, 4040-3077

Standard, non-handed arm mounts pull side or top jamb with shallow reveal. P4041 closer includes PA SHOE, 4040-62PA required for parallel arm mounting.

AUXILIARY SHOE, 4040-62A, allows parallel arm mounting with Glynn-Johnson overhead holder/stop when substituted for the -62 PA. Special template required

LONG ARM, 4040-3077L

Optional non-handed arm includes LONG ROD AND SHOE, 4040-79LR for top jamb mount with typical reveal.

EXTRA LONG ARM, 4040-3077ELR

Optional non-handed arm includes EXTRA LONG ROD AND SHOE, 4040-79ELR for top jamb mount with deep reveal.

HOLD-OPEN ARM, 4040-3049

Optional, non-handed arm mounts pull side or top jamb with shallow reveal, hold-open adjustable shoe.

P4041 closer includes 4040-62PA shoe required for parallel arm mounting.

LONG HOLD-OPEN ARM, 4040-3049L

Optional non-handed arm includes LONG HEAD AND TUBE, 4040-3048L for top jamb mount with typical reveal.

EXTRA DUTY (EDA) ARM, 4040-3077EDA

Optional, non-handed parallel arm features forged, solid steel main and forearm for potentially abusive installations.

Optional THICK HUB SHOE, 4040-62G for blade stop clearance. Optional FLUSH TRANSOM SHOE, 4040-145 for single rabbeted installations. Optional shoes require special templating.

H-EDA ARM, 4040-3049EDA

Optional handed arm provides hold-open function, adjustable at the shoe.

CUSH-N-STOP® (CUSH) ARM, 4040-3077CNS

Optional, non-handed parallel arm features solid forged steel main arm and forearm with stop in soffit shoe.

H-CUSH ARM, 4040-3049CNS

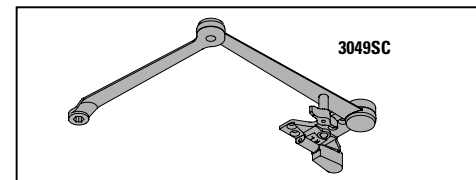
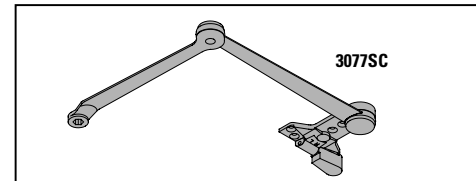
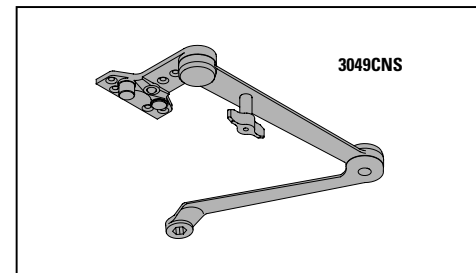
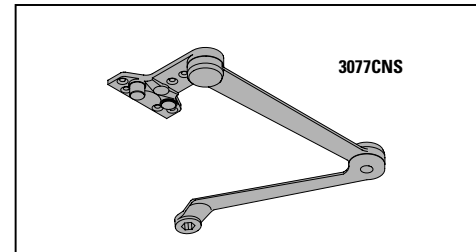
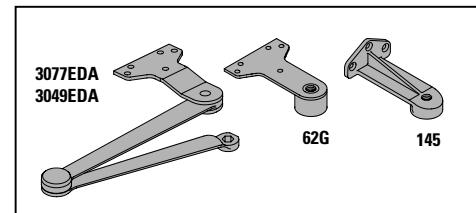
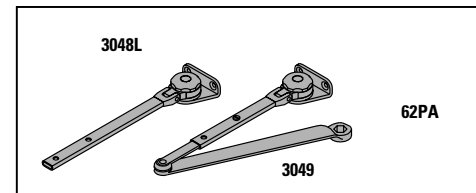
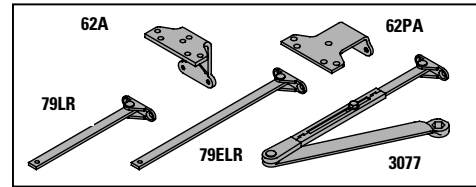
Provides hold-open function with templated stop/hold-open points. Handle controls hold-open function.

SPRING CUSH ARM, 4040-3077SC

Optional, non-handed parallel arm for abusive applications features solid forged steel main arm and forearm with spring loaded stop in the soffit shoe.

SPRING H-CUSH ARM, 4040-3049SC

Optional, non-handed parallel arm for abusive applications features solid forged steel main arm and forearm with spring loaded stop in the soffit shoe. Handle controls hold-open function.

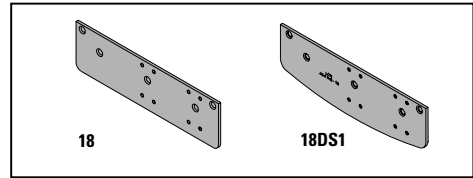


INSTALLATION ACCESSORIES

PLATE, 4040-18/18DS1

Required for hinge side mount where top rail is less than 3 3/4" (95 mm).

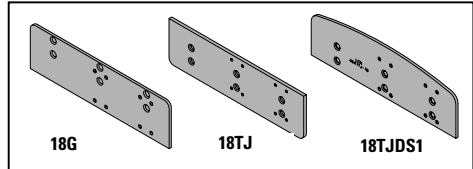
Plate requires minimum 2" (51 mm) minimum top rail.



PLATE, 4040-18TJ/18TJDS1

Centers top jamb mounted closer vertically on head frame where face is less than 3 1/2" (89 mm).

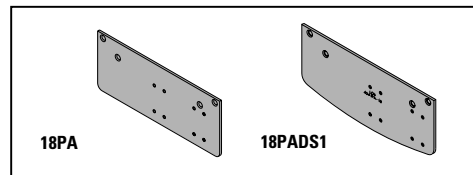
Plate requires 1 3/4" (44 mm) minimum head frame.



PLATE, 4040-18G

Locates top jamb mounted closer flush with top of head frame face in flush ceiling condition.

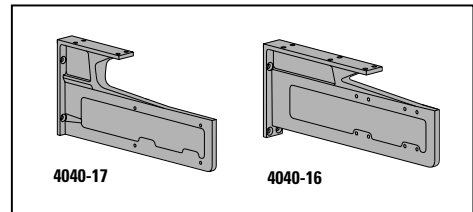
Plate requires 1 3/4" (44 mm) minimum head frame.



PLATE, 4040-18PA/18PADS1

Required for parallel arm mounting where top rail is less than 5 1/2" (140 mm), measured from the stop.

Plate requires 2" (51 mm) minimum top rail.

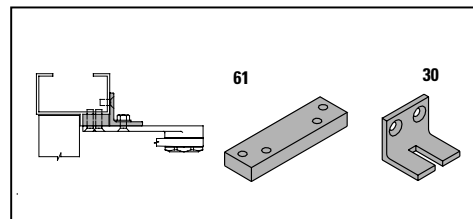


BRACKET, 4040-16

For doors where top jamb or parallel arm mounting cannot be used, consult factory.

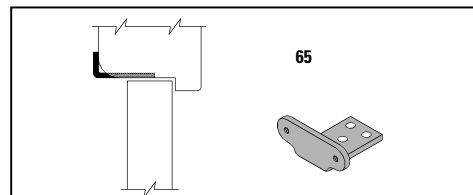
BRACKET, 4040-17

Designed to lower closer for clearance of certain auxiliary holders (consult factory).



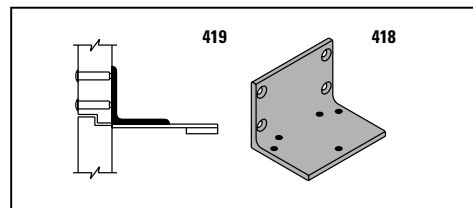
CUSH SHOE SUPPORT, 4040-30 provides anchorage for fifth screw used with CUSH arms, where reveal is less than 3 1/16" (78 mm).

BLADE STOP SPACER, 4040-61 required to lower parallel arm shoe to clear 1/2" (13 mm) blade stop.

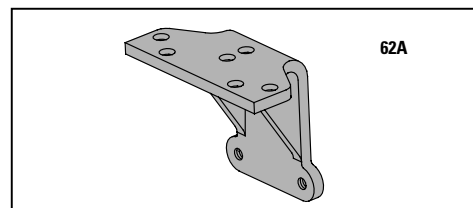


SOFFIT SHOE, 4040-65 adapts hinge side shoe to rounded or bull nose trim.

PA SHOE ADAPTER, 4040-418 provides horizontal mounting surface for parallel arm shoe on single rabbetted or flush frame.



CUSH FLUSH PANEL ADAPTER, 4040-419 provides horizontal mounting surface for CUSH shoe on single rabbetted or flush frame.



AUXILIARY SHOE, 4040-62A requires a top rail of 7" (179 mm). Optional shoe replaces -62PA for parallel arm mounting of regular arm with Glynn-Johnson overhead holder/stop. Special template required.

LCN 4040 SERIES

TABLE OF SIZES

4041 cylinder is adjustable from size 1 through size 6 and is shipped set to size 3.

Closing power of 4040 series closers may be adjusted 50%.

→ Indicates recommended range of door width for closer size.

EXTERIOR (and VESTIBULE) DOOR WIDTH

	24" 610mm	30" 762mm	36" 914mm	42" 1067mm	48" 1219mm
	size 3	size 4	size 5	size 6	
*4041	→				
Minimum Door Width					


INTERIOR DOOR WIDTH

	24" 610mm	34" 864mm	38" 965mm	48" 1219mm	54" 1372mm	60" 1524mm
	size 2	size 3	size 4	size 5	size 6	
*4041	→					
Minimum Door Width	* Adjustable Size 1 thru 6					

REDUCED OPENING FORCE 4040 CLOSERS

CAUTION! Any manual door closer, including those certified by BHMA to conform to ANSI Standard A156.4, that is selected, installed and adjusted based on ADA or other reduced opening force requirements may not provide sufficient power to reliably close and latch a door.

Refer to POWER OPERATORS section for information on systems that meet reduced opening force requirements without effecting closing power.

	DOOR WIDTH	36"	42"	48"
	8.5* lbs.	4041	4041	4041
	5.0* lbs.	4041	4041	4041

* Maximum opening force

HOW-TO-ORDER 4040 SERIES CLOSERS

1. SELECT FINISH.

- Standard Powder Coat _____
- Aluminum, Statuary, Light Bronze, Tan, Brass, Black, Dark Bronze
- Custom Powder Coat _____
- Plated Finish US _____
(optional metal cover will be furnished)
SRI primer

Closer will be shipped with:

- STANDARD CYLINDER,
- STANDARD COVER,
- REGULAR ARM (without PA shoe), and
- SELF-REAMING and TAPPING SCREWS (new), unless options listed below are selected.

CLOSER OPTIONS

CYLINDER

- PA Mount (add prefix "P" to cylinder for 4040-62PA shoe required with regular or hold-open arm)
- Delayed Action (add suffix "DA" to cylinder)

COVER

- Metal (specify right or left hand)
- Designer series metal (non-handed)

ARM

- Regular w/62A
- Long
- Extra Long
- Hold-Open
- Long Hold-Open
- EDA (optional -62G or -145)
- H-EDA (specify right or left hand, optional -62G or -145)
- Cush-N-Stop
- H-Cush-N-Stop
- Spring Cush
- Spring H-Cush

OPTIONAL SCREW PACKS

- Wood & Machine Screw
 - TB* w/Self-Reaming and Tapping Screws(SRT) complete w/cylinder SRT
 - TB* w/SRT
 - TORX SRT
 - TORX Thu Bolt w/SRT
 - TB* & Machine Screws
 - TB*, Wood & Machine Screws
 - TORX Machine Screws
 - TB* & TORX machine screws
- * Specify door thickness if other than 1 3/4".

SPECIAL TEMPLATE

- ST- _____

INSTALLATION ACCESSORIES

- Plate, 4040-18/18DS1
- Plate, 4040-18TJ /18TJDS1
- Plate, 4040-18G/18GDS1
- Plate, 4040-18PA/18PADS1
- CUSH Shoe Support, 4040-30
- Blade Stop Spacer, 4040-61
- Auxiliary Shoe, 4040-62A
- Soffit Shoe, 4040-65
- PA Shoe Adapter, 4040-418
- CUSH Flush Panel Adapter, 4040-419

LCN DIVISION
P.O. BOX 100
121 W. RAILROAD AVE.
PRINCETON, IL, USA 61356-0100

PHONE 800-526-2400
FAX 800-248-1460
8/01